

Sakura (right hand waste)

Product code : **SA16R**

Draft revision : **20121011161732**

External dimensions : **60" x 29,5" x 16" [152,4 cm x 74,9 cm x 40,6 cm]**

Serie : **Estime**

Seats : **1**

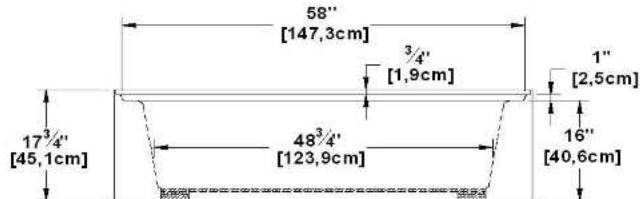
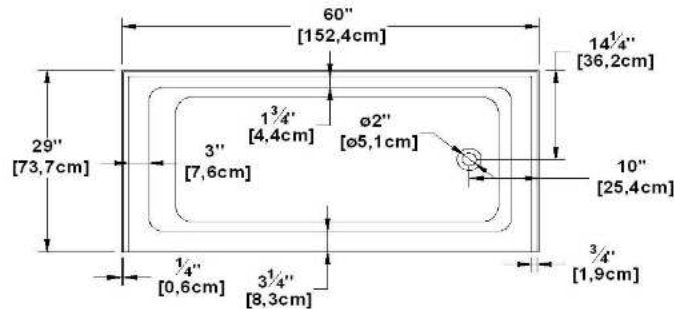
2012 catalog page : **66**

Low-profile available : **no**

Arm rests : **no**

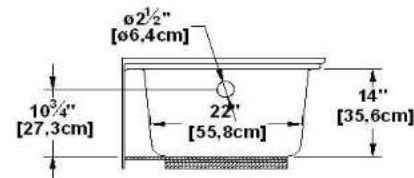
Lumbar support : **no**

Draft and specs

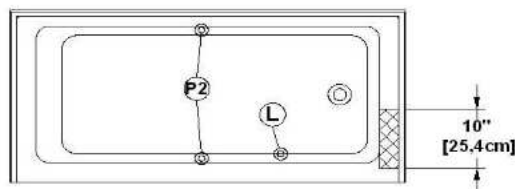


Specifications	
Capacity :	30 IMP Gal. / 39,1 US Gal. / 136,4 liters
AeroMassage™ :	43 Easy Clean™ air jets
Super AeroMassage™ :	AeroMassage™ + 12 Easy Clean™ air jets
Dynamic Turbo™ :	unavailable
Confort Air™ :	unavailable
Characteristics :	This model has no adjustable legs

Remarks	
*all measures have a precision of ± 1/4" (0,63cm)	
*internal dimensions taken at 4" (10cm) from bath bottom	
*capacity is measured by filling the soaker to 1-1/2" under the overflow	
*textured skirt available on all freestand products	
*shelf height is 3/4" on all "low-profile" models	



Options and installation



*accessories and decorative lines positions are approximative

Additional(s) note(s) :

Integrated acrylic flanges. If system, delivered with keypad not installed. When ordered with AeroMassage™ or Super AeroMassage™, blower must be relocated.

*It is possible that faucets may be installed elsewhere on the product. Verify, directly on the product, that there are no conflicting parts before drilling.

IMPORTANT NOTE : Specifications, dimensions and models are subject to change.

Visit our website <http://www.oceania-attitude.com> to access up-to-date dimensions and informations. In all cases, information on the website is the most up-to-date. Dimensions may vary slightly. To ensure proper fit, mesurements must be taken on the product directly.

Legend		
Ⓢ Blower	Ⓛ Mood light	ⓐ Keypad
Ⓟ Pump	Ⓟ Grab bar	
⊗ Recommended faucets drilling location*		
Deck cut-out line - - - - -		

Available models	
Model	Availability
Soaker alone	x
Confort Air™	
AeroMassage™	x
Super AeroMassage™	x
Dynamic Turbo™ (not available in the U.S.)	
Dynamic Turbo™ + AeroMassage™	
Dynamic Turbo™ + Super AeroMassage™	

Available recommended options	
Front skirt :	Integrated
Recommended drain :	WOCOS
Tiling flanges :	integrated
Floating controller :	available

Head office

591, avenue des Entreprises
Thetford Mines, Quebec
CANADA G6H 4B2

Phone numbers

No-charge : 1-877-332-4224
Fax : 1-866-460-4334

Internet

Web : <http://www.oceania-attitude.com>
Email : info@oceaniabaths.com